

# BS Biology Major Sample Plan

## Pre-Health Professions

YEAR 1					
Autumn		Credits	Spring		Credits
Math 1150 / Math 1151		5	Biology 1113		5
Chemistry 1210		5	Math 1151 / Math 1172		5
Exploration 1001.01		1	Chemistry 1220		5
General Education Foundation		3	General Education 1201		1
		<b>Total</b>	<b>14</b>		
				<b>Total</b>	<b>16</b>

YEAR 2					
Autumn		Credits	Spring		Credits
Biology 1114		4	Biology 3401 (Integrated Biology)		4
Chemistry 2510		4	Chemistry 2520		4
Chemistry 2540		2	Chemistry 2550		2
Stats 2480		3	General Education		3
General Education		3	General Education language		4
		<b>Total</b>	<b>16</b>		
				<b>Total</b>	<b>17</b>

YEAR 3					
Autumn		Credits	Spring		Credits
EEOB 3310 <sup>Lab,Odd</sup> (Evolution)	EEOB 3410 <sup>Lab,Even</sup> (Ecology)	4	EEOB 3320 <sup>Lab,Odd</sup> (Organismal Diversity)	EEOB 3510 <sup>Even</sup> (Cellular & Develop. Biol)	3
EEOB 2520 (Physiol.) or EEOB 2510 <sup>Lab</sup> (Anat.)		3-4	Physics 1201/1251		5
Physics 1200/1250		5	General Education		3
General Education language		4	General Education language		4
		<b>Total</b>	<b>16-17</b>		
				<b>Total</b>	<b>15</b>

YEAR 4					
Autumn		Credits	Spring		Credits
EEOB 3310 <sup>Lab,Odd</sup> (Evolution)	EEOB 3410 <sup>Lab,Even</sup> (Ecology)	4	EEOB 3320 <sup>Lab,Odd</sup> (Organismal Diversity)	EEOB 3510 <sup>Even</sup> (Cellular & Develop. Biol)	3
EEOB 2520 (Physiol.) or EEOB 2510 <sup>Lab</sup> (Anat.)		3-4	MolGen 4500 <sup>Odd</sup> (+4501) <sup>Lab</sup>	General Education	3
Micro 4000 <sup>Lab</sup>		4	General Education		4
Biochemistry 4511		3	General Education		3
General Education		3	General Education		4
		<b>Total</b>	<b>14-17</b>		
				<b>Total</b>	<b>16</b>

A minimum of 121 credits are required to complete the degree

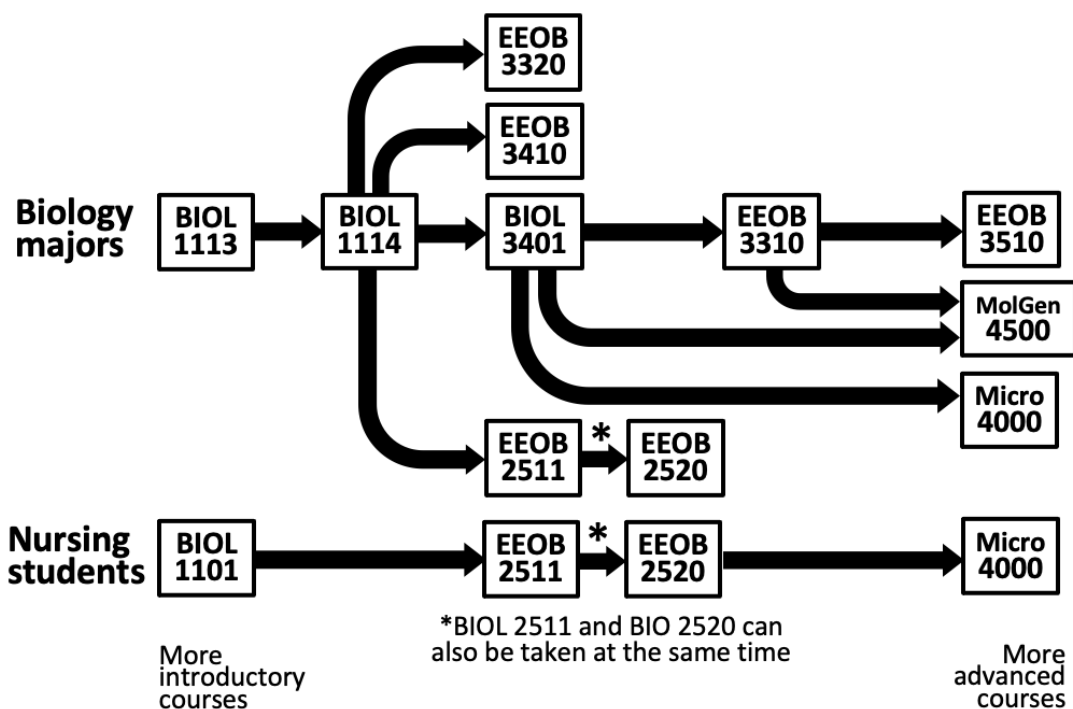
This sample plan assumes math placement level M (1150) and English 1110.xx placement. A lower math placement level will alter the order in which courses may be taken and will extend time to degree.

<sup>Odd</sup> Course is offered in years that end with an odd number

<sup>Even</sup> Course is offered in years that end with an even number

<sup>Lab</sup> Course counts towards your three-lab requirement

## Recommended order of OSU Marion courses



## BS Biology Major requirements

### General Education Requirements (32-39 credit hours)

- GE Launch Seminar (1)
- Foundations: Writing and Information Literacy (3)
- Foundations: Mathematics & Quant. Reasoning (3-5)
- Foundations: Literacy, Visual & performing Arts (3)
- Foundations: Historical & Cultural Studies (3)
- Foundations: Natural Sciences (4-5)
- Foundations: Social & Behavioral Sciences (3)
- Foundations: Race, Ethnicity and Gender Diversity (3)
- Theme: Citizenship for a Diverse & Just World (4-6)
- Theme: Student Choice (4-6)
- World Language (0-12)
- GE Reflection (1)

### Required Arts & Sciences Courses (1-13 Credit Hours)

- Arts & Sciences Survey (1)
- World Language (0-12)

### Required Supporting Courses (32-42 credit hours)

- Biology (2 courses)
  - Biology 1113.01 (4)\*
  - Biology 1114.01 (4)\*
 \*Can be used to fulfill the GEN Foundation: Natural Sciences requirement
- Mathematics/Statistics (2 courses)
  - Math 1151\*\*
  - Stat 2480 (3), Psych 2220 (3), or Stat 1450
 \*\* Can be used to fulfill the GEN Foundation; MQRM requirement

- Physics (2 Courses)
  - Physics 1200 (alg) or 1250 (calc) (5)
  - Physics 1201 (alg) or 1251 (calc) (5)
- Chemistry (2 courses)
  - Chemistry 1206 (3) & 1208 (4) or 1210 (5)
  - Chemistry 1220 (5)
- Organic Chemistry (2 lectures + 2 labs)
  - Chemistry 2510 (4) – Lecture 1
  - Chemistry 2520 (4) – Lecture 2
  - Chemistry 2540 (2) – Lab 1
  - Chemistry 2550 (2) – Lab 2

**Core, specialization, and electives must total 32 credits and 3 labs; 25/32 credits must be Biological Sciences**

### Core Course (4 credit hours)

- Biology 3401 (4) – Integrated Biology

### Pre-Health Professions Specialization (15-25 credit hours)

- Required
  - MolGen 4500 (3) or 4606 (4)
- Additional Coursework (at least 4)
  - Biochem 4511 (4)
  - EEOB 3310.01 or 3310.02 (4) – Evolution
  - Micro 4000 (4)
  - EEOB 3510 (3) – Cell Biology
  - EEOB 2510 (3) or EEOB 2511 (4) – Human Anatomy
  - EEOB 3410 (4) – Ecology